

General  
Mixing  
Applications



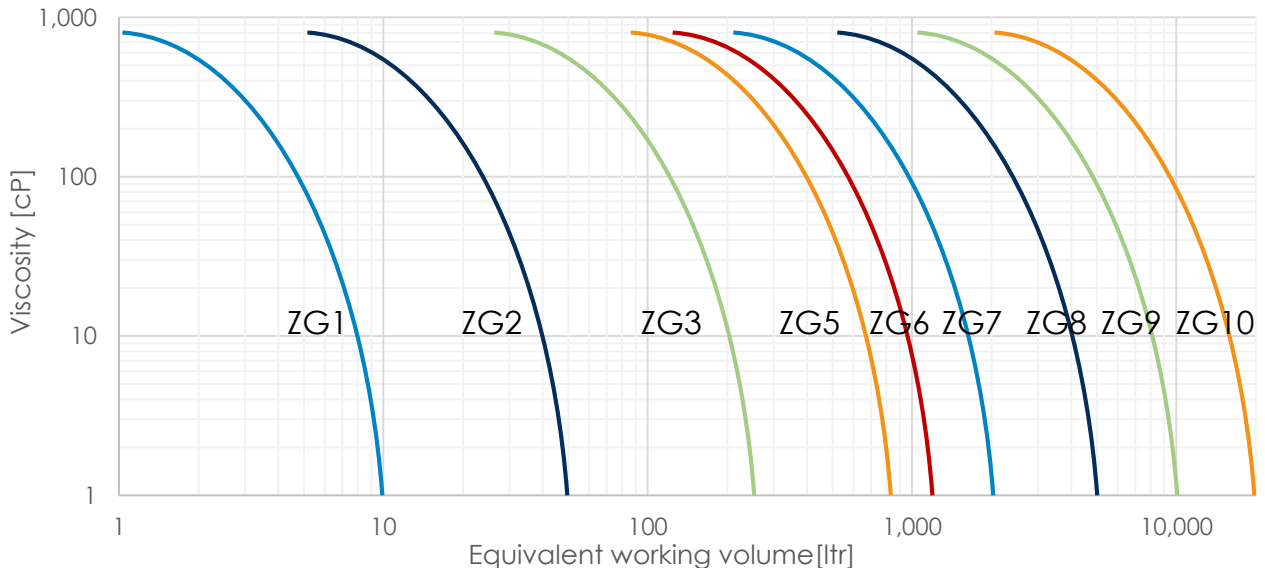
# Zero-g

## Magnetic Mixer

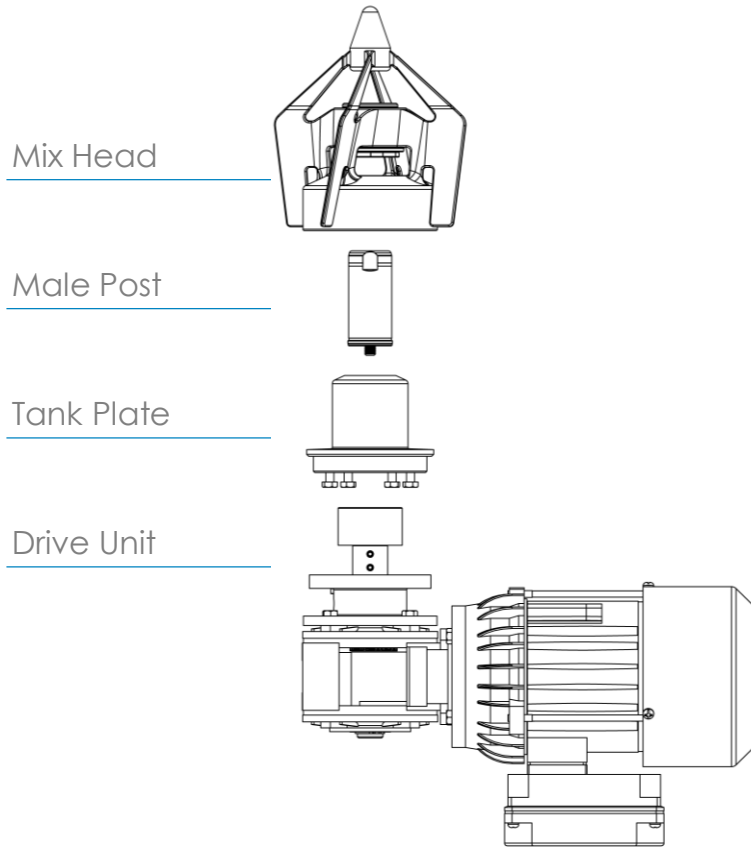
ZG mixers are very versatile and are the base line of our mixer program. The high efficiency mix head design allows for both effective and gentle mixing at the same time. The ZG mixer covers a vast range of applications all through the process chain. The excellent aseptic design, FDA compliance, combined with the benefits of the new and innovative bearing design makes it perfect for use in the pharmaceutical and biotechnology industries.

### Basic Selection

	ZG1	ZG2	ZG3	ZG5	ZG6	ZG7	ZG8	ZG9	ZG10
Max Volume at 1 cP [ltr]	10	50	250	850	1200	2000	5000	10000	20000
Max Speed [rpm]	490	490	490	490	490	490	343	245	245



The information in this publication is subject to change without prior notice. The information in this document is believed to be complete and accurate at the time of publication. Metenova assumes no responsibility for any errors that may appear in this document. Customer is responsible for determining Metenova's product will perform suitable in the intended application.



**General guide for components detail specification data sheet  
(More variation options available for each subcomponent)**

Mixer Model	Mixing Head	Male Post	Tank Plate	Drive Unit
ZG1	DS ZG1 MH -1117	DS ZG- MP 18 -827	DS ZG2 TP -838	DS ZG2 DU AC E0 -875
ZG2	DS ZG2 MH -940	DS ZG- MP 18 -827	DS ZG2 TP -838	DS ZG2 DU AC E0 -875
ZG3	DS ZG3 MH -418	DS ZG- MP 32 -199	DS ZG3 TP -206	DS ZG3 DU AC E0 -441
ZG5	DS ZG5 MH -419	DS ZG- MP 32 -199	DS ZG5 TP -79	DS ZG5 DU AC E0 -442
ZG6	DS ZG6 MH -420	DS ZG- MP 32 -199	DS ZG6 TP -117	DS ZG6 DU AC E0 -443
ZG7	DS ZG7 MH -421	DS ZG- MP 32 -199	DS ZG7 TP -288	DS ZG7 DU AC E0 -444
ZG8	DS ZG8 MH -422	DS ZG- MP 40 -329	DS ZG8 TP -343	DS ZG8 DU AC E0 -445
ZG9	DS ZG9 MH -423	DS ZG- MP 40 -329	DS ZG9 TP -504	DS ZG9 DU AC E0 -446
ZG10	DS ZG10 MH -424	DS ZG- MP 40 -329	DS ZG10 TP -613	DS ZG10 DU AC E0 -447

**Net Weight (approximate)**

Mixer Model	ZG1	ZG2	ZG3	ZG5	ZG6	ZG7	ZG8	ZG9	ZG10
Weight kg (lb)	7 (15)	7 (15)	10 (22)	14 (31)	17 (37)	24 (53)	38 (84)	40 (88)	55 (121)

**Additional information**

Operating Temp	5°C - 150°C (41°F - 302°F) Environment Temp 0°C - 40°C (32°F - 104°F)
Operating Pressure	-1 – 7 barg (-14.7 – 103 psig)
Surface Roughness	Ra ≤ 0.5 µm (20 µin)
Surface Treatment	Electro polished. Non animal origin polishing compounds are used.
Product contact material	Standard SS material 316L, bearing material SIC and elastomers EPDM (USP VI , FDA compliant). Other material options available upon request.